



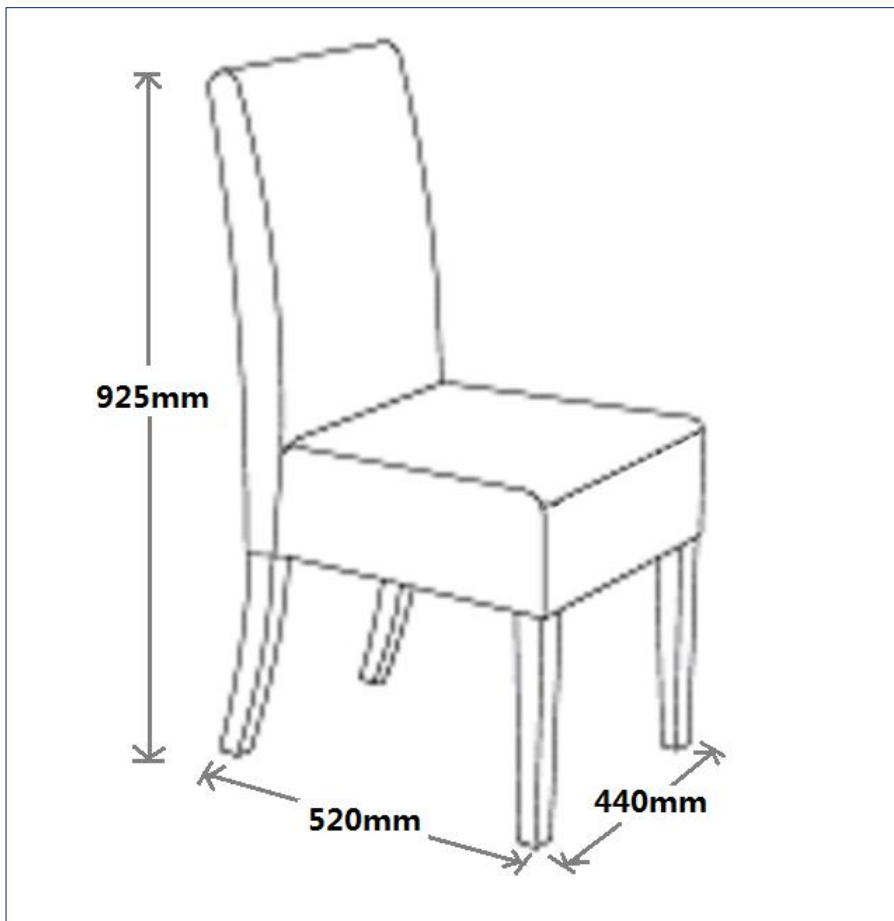
## ASSEMBLING INSTRUCTION

### TRIUMPH DINING CHAIR

ITEM CODE :54374

Imported by Amart Furniture Pty Ltd, Qld, Brisbane Australia.

For any assistance with assembly or for missing parts please phone Amart Furniture , Customer Service Free call 1800 351 084



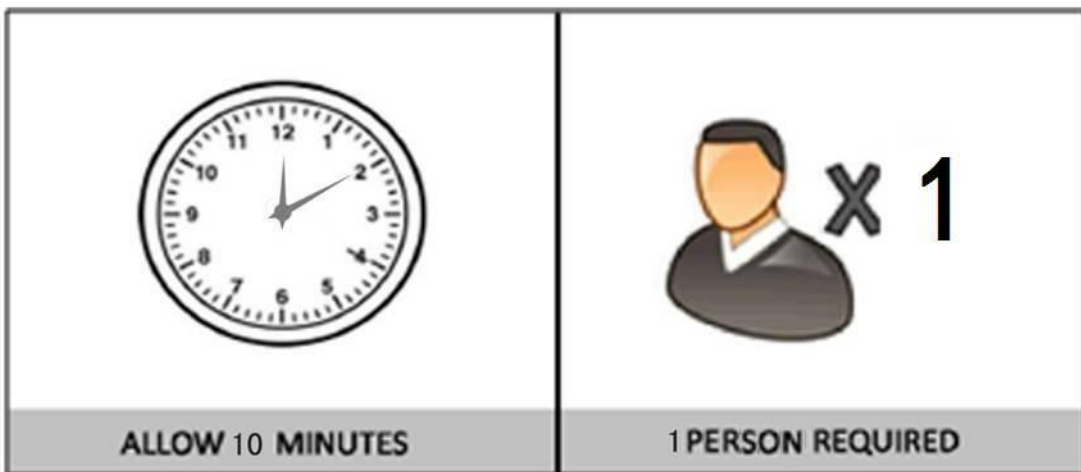
Imported by Amart Furniture Pty Ltd, Qld, Brisbane Australia.

For any assistance with assembly or for missing parts please phone Amart Furniture, Customer Service Free call 1800 351 084

## PRE-ASSEMBLY PREPARATION

### Before you start:

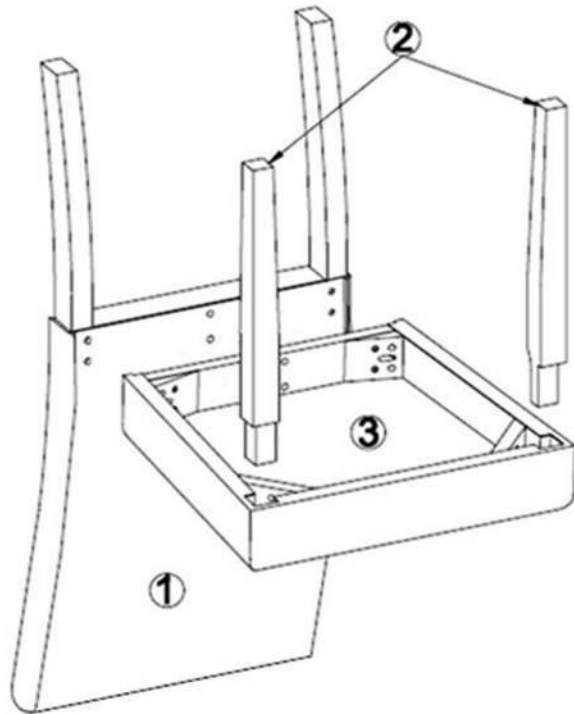
1. Choose a clean, level, spacious assembly area. Avoid hard surfaces that may damage the product
2. Take care when lifting. Product should be assembled as near as possible to the point of use
3. Ensure that you have all required contents for complete assembly
4. Always read the assembly instructions carefully before beginning assembly.
5. Keep all hardware parts and packaging out of reach of small children.
6. Do not over tighten the screws and bolts as this may damage the threads








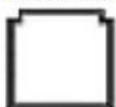

# PARTS LIST



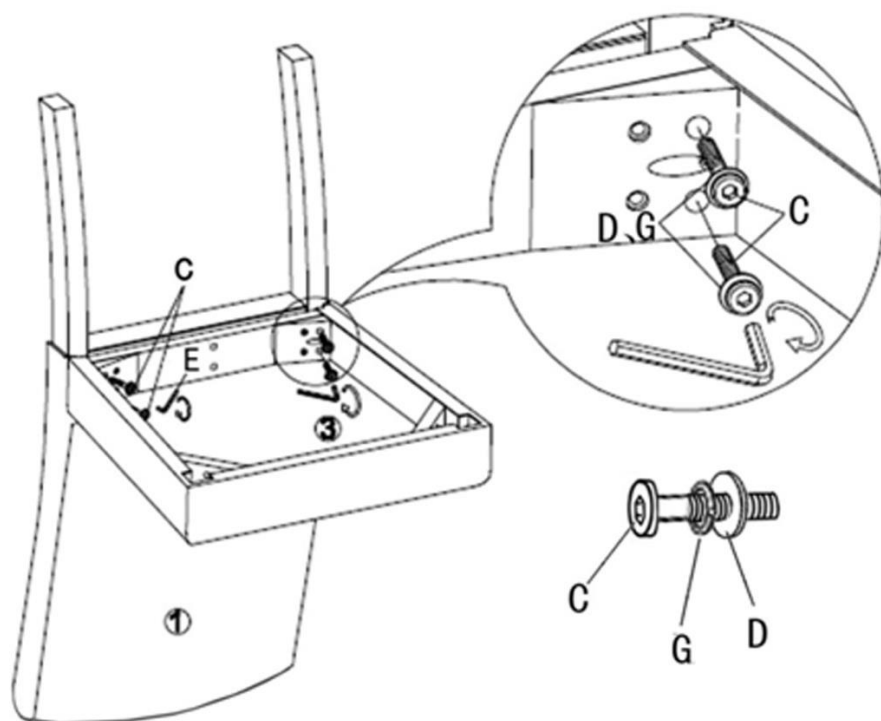
PARTS		
ITEM	DESCRIPTION	QTY
1	Back Assembly	1
2	Front Leg	2
3	Seat	1



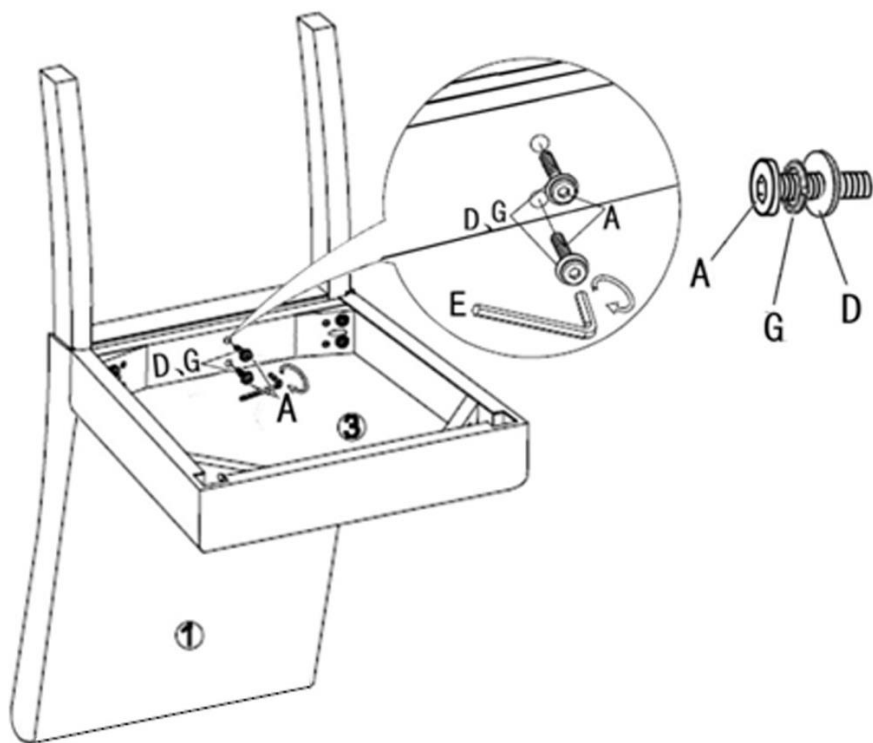
A. Bolt 1/4" 6*45mm  2pcs	B. Bolt 1/4" 6*60mm  4pcs	C. Bolt 1/4" 6*90mm  4pcs
--	--	---

D. Washer $\phi$ 16mm  10pcs	E. Allen Key  1pc	F. Dust Cover  1pc	G. Spring washer  $\phi$ 10mm 10pcs
---	--	---	--

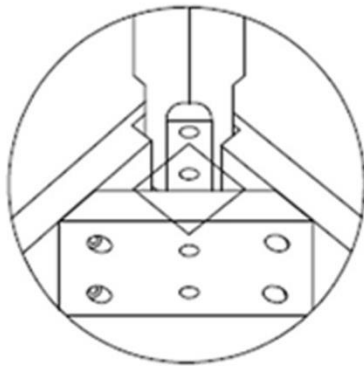
**STEP 1: Fasten the seat frame ③ to the chair back ① with bolts ② and washers ④ ⑤**



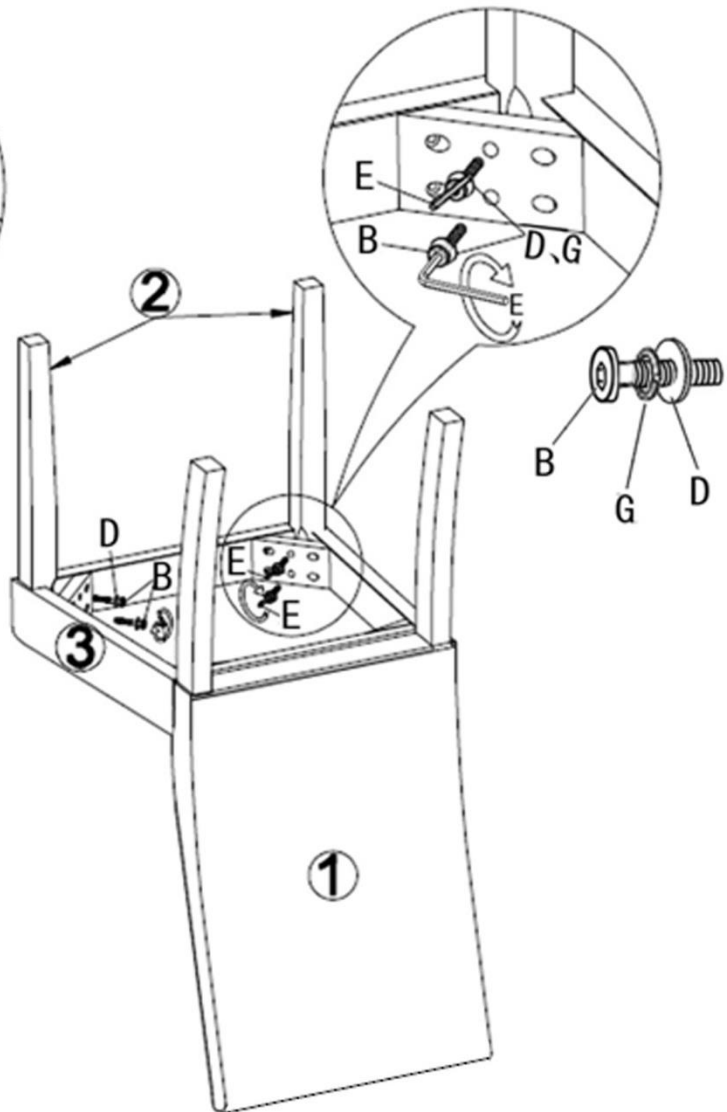
**STEP 2: Secure the seat frame ③ to the chair back ① with bolts ⑥ and washers ④ ⑤**



**STEP 3: Fasten the front legs ② to the seat frame ③ with bolts ⑧ washers ⑩ ⑪**



**Caution**  
*Please put the front leg  
with correct position  
into this area*



**Attention:**  
*Please fasten bolts to approx. 90% first. Then  
place chair on level surface. Gently sit on chair  
for legs to level out. Then flip chair back over  
and complete to fastening of all bolts.*

# Important Information

## Bolt Tightening Instructions



Improperly fastened bolts.

- Have gaps in-between the washer, split washer, bolt head and the chair.
- Split washer is not compressed.
- Bolt can be easily unwound by hand.



Properly fastened bolts.

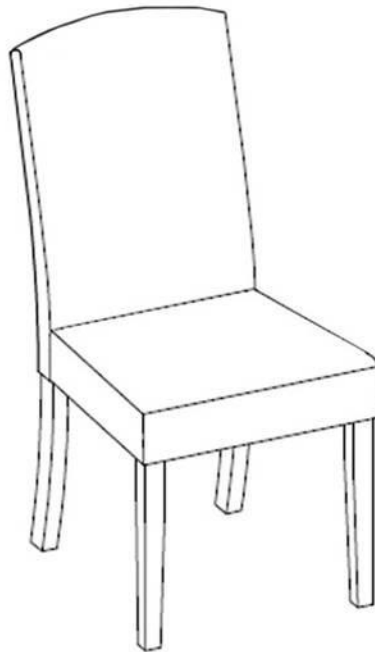
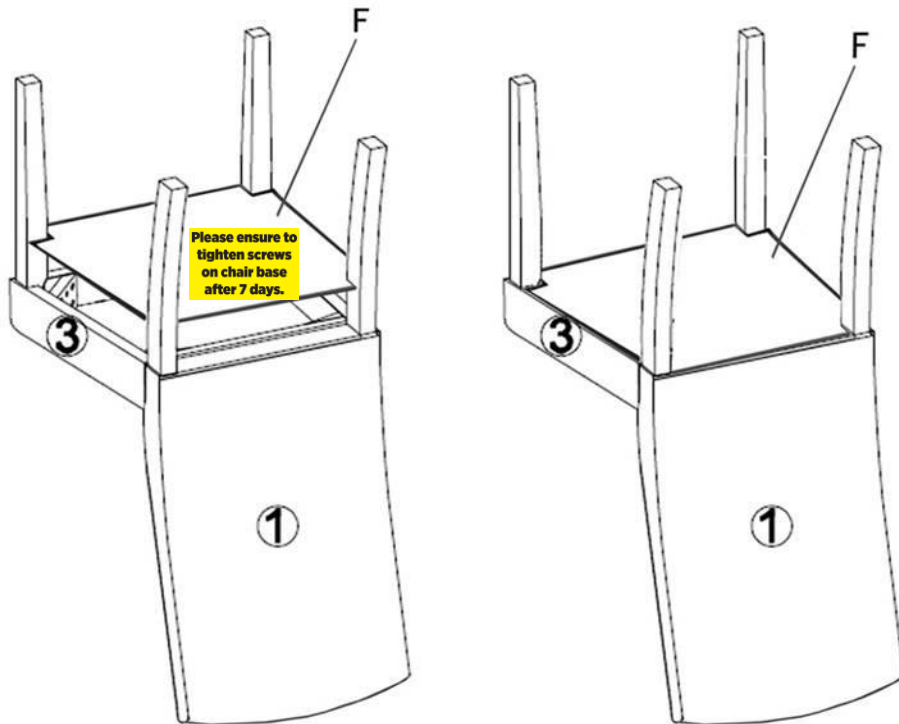
- No gaps between the washer, split washer, bolt head and the chair.
- Split washer is compressed into closed position.
- Bolt can not be loosened by hand.

### **Warning**



***Bolts that are not properly fastened could cause structural failure . Amart recommends the bolts be re-tightened after first 7 days and checked on regular basis.***

**STEP4:** Put dust cover (F) over the seat (3)



**Assembly is completed**

## CARE AND MAINTENANCE

When necessary brush or vacuum away dust and grit. Wipe over with a soft, clean dye fast cloth

FOR SPOTS AND SPILLS:

- Wipe excess liquid up immediately with an absorbent cloth or sponge

FOR OVERALL CLEANING:

- We recommend cleaning every 3-4 months with
- Leather cleaner followed by applications of leather protector
- Always follow directions on packs

NOTES:

- Accumulation of perspiration and body oils on arm pads, headrests etc. may damage your leather -these areas may require more frequent cleaning
- Leather is a natural product and any stress may result in tears. Additionally when stretched the leather might not completely return to its original shape. Therefore when leather is used more intensively it may become loose over time
- If cushions are sewn to the frame, any pulling or tugging might result in a tear. Please avoid any leaning, sitting or reaching over the back/arms of the sofa
- To keep your cushions looking fluffy and new, use seating evenly
- Leather is not resistant to animals. Allowing pets on your leather is not recommended. Their claws may scratch the covers, which can lead to expensive repair. Their saliva is acidic and may also harm the leather finish

DO NOT:

- Expose leather to direct sunlight, intensive heat, weather or soak unnecessarily. Always avoid excessive hard rubbing
- Dry clean or machine wash
- Use saddle soap, detergents, solvents, abrasives, unidentified leather cleaners, suede cleaners or any products containing silicon or solvents
- Use chair/stool as a ladder
- Climb on the chair/stool
- Stand on the foot-rest of the chair, as this could lead to the stool becoming unbalanced and overturning